

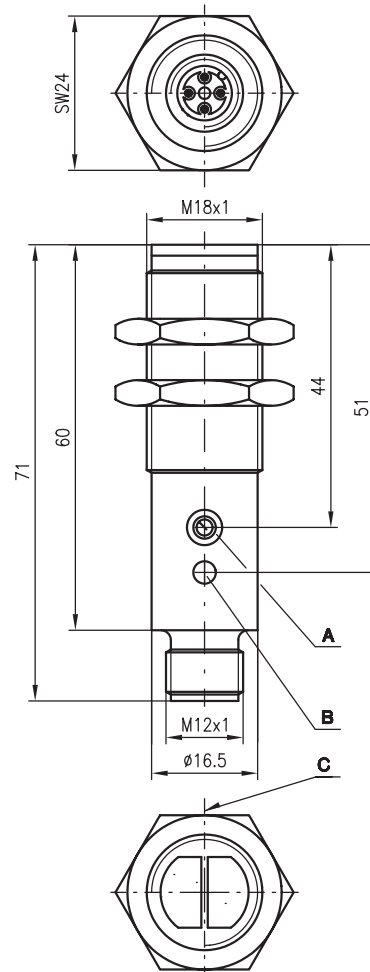


## LS 618

## Throughbeam photoelectric sensors



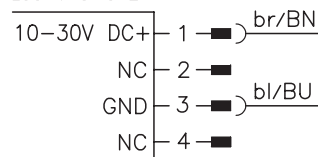
### Dimensioned drawing



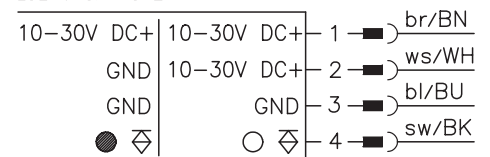
- A Sensitivity adjustment
- B Indicator diode
- C Optical axis

### Electrical connection

LSS 618-S12



LSE 618/4-S12



12m



- Throughbeam photoelectric sensor with light/dark switching
- Robust cylindrical metal housing M18x1
- Sensitivity adjustment for optimal adaptation to the application
- Dual LED display for easy commissioning
- M12 connector for fast installation



### Accessories:

(available separately)

- M12 connectors (KD ...)
- Ready-made cables (KB ...)
- 90° deflection head

We reserve the right to make changes • 618\_a01e.fm

## Specifications

### Optical data

Typ. operating range limit <sup>1)</sup>	0 ... 12m
Operating range <sup>2)</sup>	0 ... 10m
Light source	LED (modulated light)
Wavelength	880nm

### Timing

Switching frequency	500Hz
Response time	1 ms
Delay before start-up	≤ 100ms

### Electrical data

Operating voltage $U_B$	10 ... 30VDC (incl. residual ripple)
Residual ripple	≤ 10% of $U_B$
Bias current	≤ 40mA
Switching output	PNP transistor output
Function characteristics <sup>3)</sup>	light/dark switching via control line
Signal voltage high/low	≥ ( $U_B - 2.5V$ ) / ≤ 2.5V
Output current	max. 100mA
Sensitivity	adjustable

### Indicators

LED green (transmitter)	ready
Dual-LED (receiver)	
green	ready
yellow	light path free
yellow flashing	light path free, no performance reserve

### Mechanical data

Housing	nickel-faced brass
Optics cover	plastic
Weight	40g
Connection type	M12 connector, 4-pin

### Environmental data

Ambient temp. (operation/storage)	-25°C ... +55°C / -30°C ... +70°C
Protective circuit	Short circuit and overload protection
Protection class	IP 67
Standards applied	IEC 60947-5-2

- 1) Typ. operating range limit: max. attainable range without performance reserve  
 2) Operating range: recommended range with performance reserve  
 3) light switching for control line (ws/WH): not connected or connected to  $U_B$   
 dark switching for control line (ws/WH): connected to GND

## Order guide

	Designation	Part No.
Transmitter and receiver	LS 618/4-S12	500 38451
Transmitter	LSS 618-S12	500 38452
Receiver	LSE 618/4-S12	500 38448

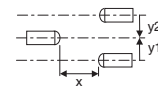
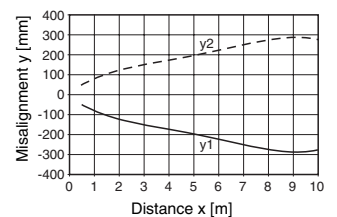
## Tables

0	10	12
---	----	----

<input type="checkbox"/>	Operating range [m]
<input type="checkbox"/>	Typ. operating range limit [m]

## Diagrams

Typ. response behaviour



## Remarks